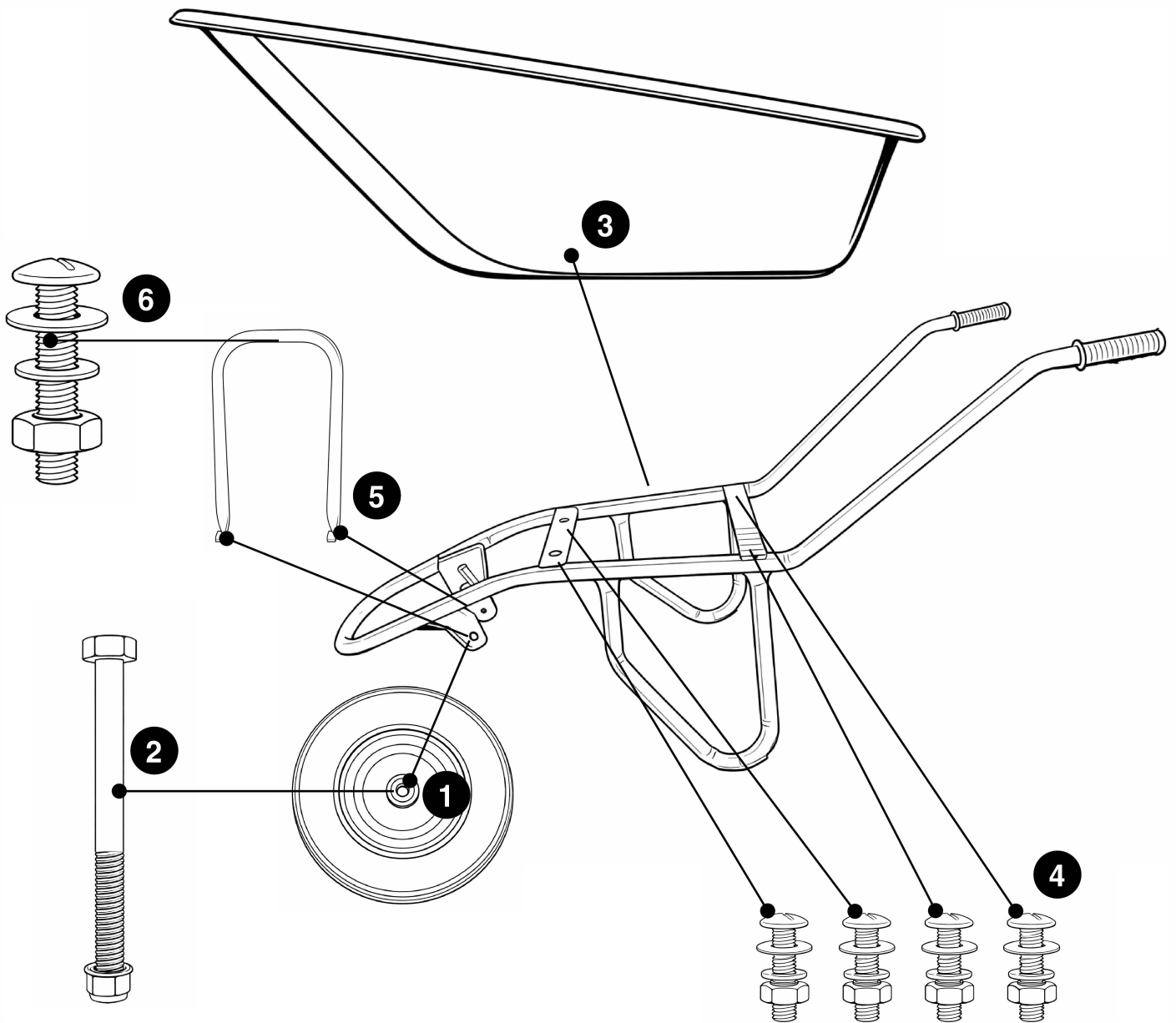


98735



Install all bolts during the assembly process without tightening them.
Once all parts are assembled, tighten all bolts securely at the end.